

# Guardian Newcomers Brief

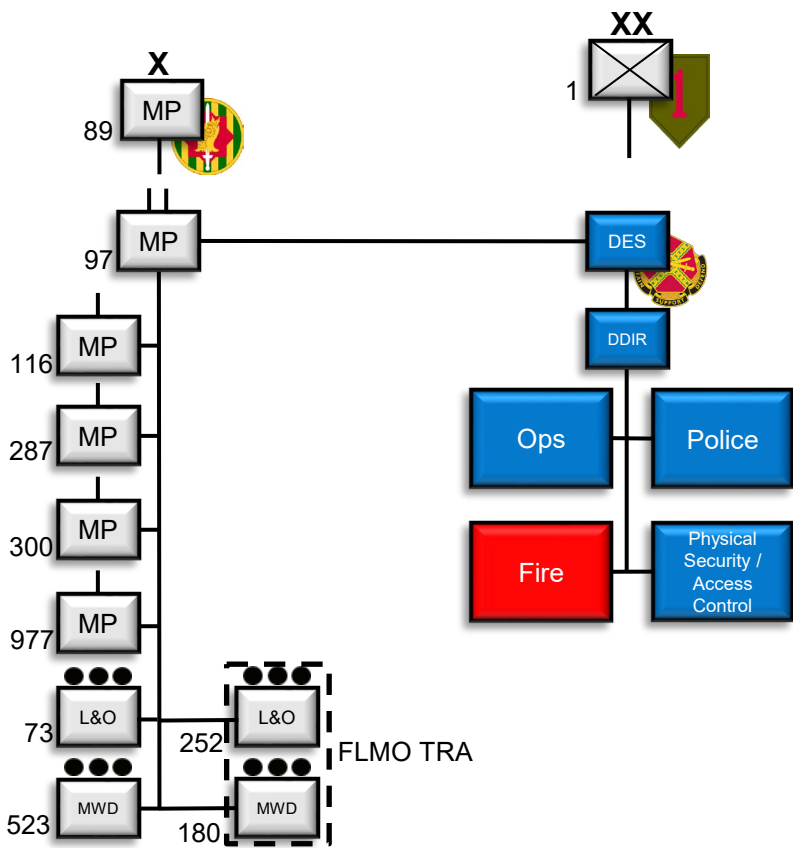




# 97th Military Police Battalion Mission Lines



## Our Organization



**LEGEND**

L&O – Law & Order  
 MWD – Military Working Dog  
 DES – Directorate of Emergency Services  
 DDIR – Deputy Director of Emergency Services

## Ready – Build Readiness

Benchmarks:

- Individual and Team Training / Squad Training / Platoon Training
- Equipment Maintenance
- Priority Training Competencies: Master Marksman / Mission Orders

**Essential Task:** Execute a progressive training strategy to achieve a collective “T” rating proficiency in the tasks required to meet mission assignment.

## Set – Protect the Installation

Benchmarks:

- Proactive Policing Strategy
- Proactive Installation Protection Strategy
- Law Enforcement and Emergency Services Synchronization

**Essential Task:** Establish a policing, protection, and emergency services system to safeguard Soldiers, Civilians, and family members on Fort Riley and Fort Leonard Wood.

## Go – Fight Tonight

Benchmarks:

- Mission Focused EXEVAL
- Equipment Validation Exercise
- Level II Deployment Readiness Exercise

**Essential Task:** Be prepared to complete full deployment of unit personnel and equipment within 30 days of notification

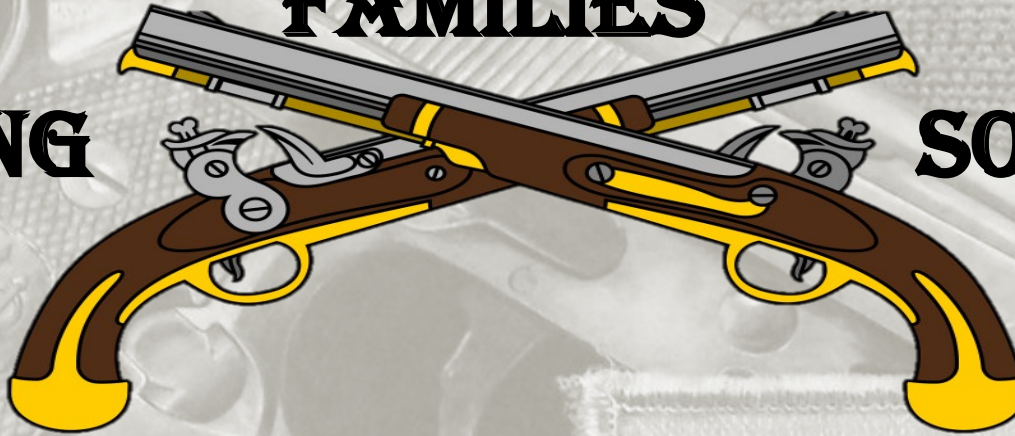




# FAMILIES

## POLICING

## SOLDIERING



The 97th Military Police Battalion is a **FIT & DISCIPLINED** organization focused on **TRAINING** and developing Soldiers and **INSPIRING** leaders **READY** to provide Military Police support to large scale combat operations, professionalized policing, and security to the greater Fort Riley community while enabling an organizational climate for Soldiers/Families to thrive.





# 97th Military Police Battalion Resources

---



## **Garrison SARC:**

7424 Apennines Dr.  
Mr. Wayne DeLong  
(O) (785) 239-2991  
(C) (785) 307-6439

Mrs. Barnett  
(O) (785) 239-8841  
(C) (785) 210-7522

## **Division EO:**

7424 Apennines Dr.  
SFC Dodson, Michael  
(O) (785) 239-8075  
(C) (303) 330-1190

## **MFLC:**

HHD Special COF  
Ms. Lisa  
(O) (785) 250-3504  
(C) (913) 302-0740

## **BN Chaplain:**

CH (CPT) Anderson  
(317) 875-2004

## **BN SARC:**

(P) SSG Lahens (A) To be determined  
(732) 962-2593

## **BN EO:**

(P) SFC Cosme (A) To be determined  
(912) 655-9502

## **BN BOSS:**

(P) SPC Hite (A) SGT Castillo  
(951) 331-9405 (951) 970-6773

## **BN Motorcycle Mentor:**

(P) SFC Hubbard (A) To be determined  
(918) 951-2615

---