



Post Newcomer's Orientation

Special Troops Battalion



**Battalion Commander
LTC Mark J. Winker**



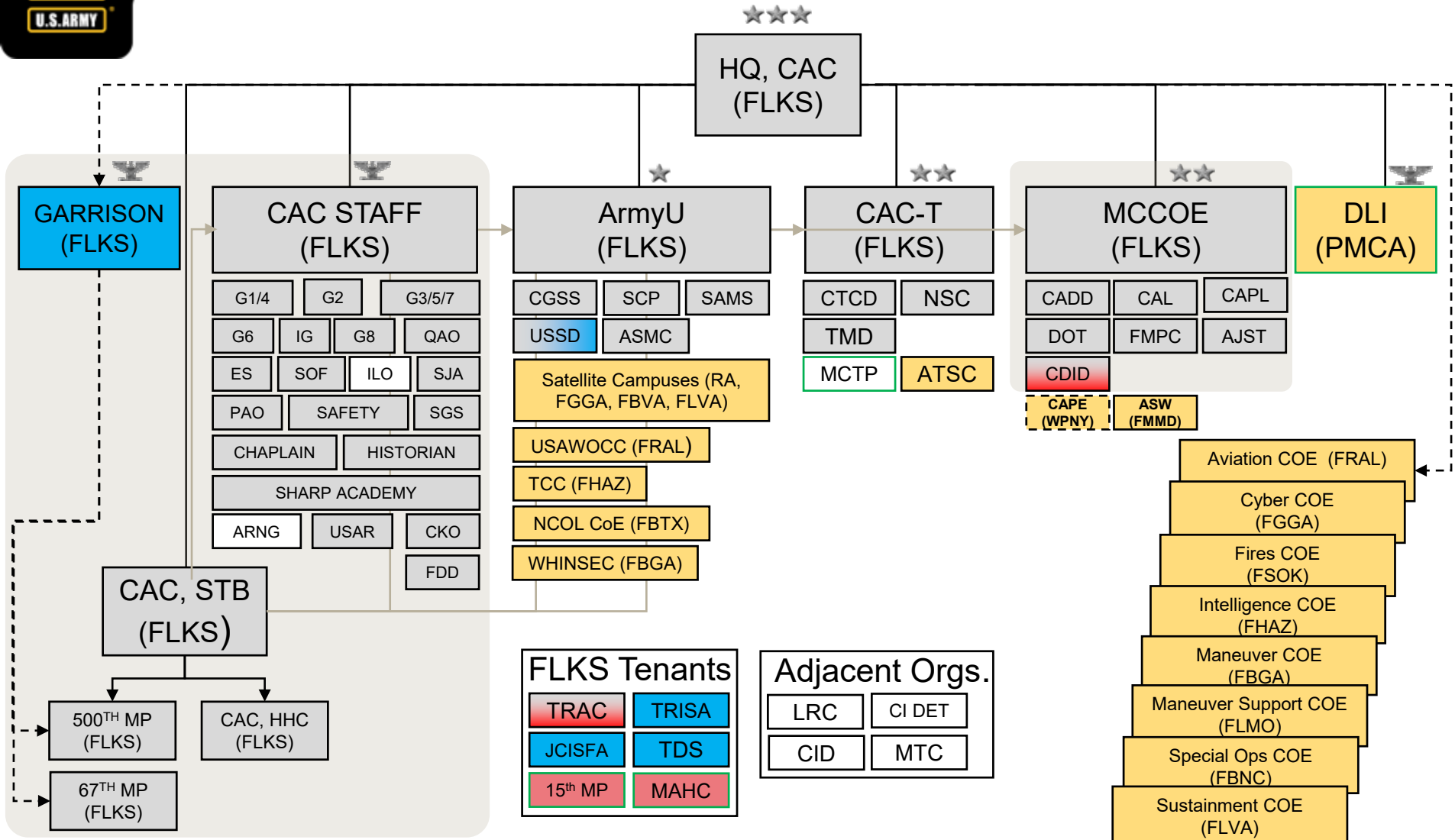
**Command Sergeant Major
CSM Kristin A. Barrett**

STB Contact: (913) 684-3685





CAC STB ORGANIZATION



	Assigned to STB, UCMJ		Assigned/OPCON to CAC not on FLKS		Assigned to AFC on FLKS, UCMJ		Assigned to CAC at FLKS, no STB UCMJ		FLKS Tenant, no UCMJ
	UCMJ, Provisional		FLKS Tenant, UCMJ						

Command → OPCON → ADCON → STB provides additional support

Legend



CAC STB Mission

The Combined Arms Center (CAC) Special Troops Battalion provides command, administration, training, and UCMJ support to assigned and attached units in order to allow the Combined Arms Center to train, educate, and develop leaders who thrive in conditions of uncertainty and ambiguity.





CAC STB SERVICES

- Family Care Plan
- Soldier Promotion Boards
- IN/OUT Processing
- Ordinary Leave, Terminal Leave, Permissive Temporary Duty (PTDY), Transition Permissive Temporary Duty (TPTDY), Passes
- Personnel Accountability Status (PERSTAT)
- Medical Readiness
- Mandatory 350-1 Training (ACFT; HT/WT; SHARP; EO; CSF2; DTMS Management)
- Army Body Composition Program (ABCP)
- The STB S1 monitors the Total Army Sponsorship Program (TASP) for incoming and outgoing Soldiers to UIC W0VPAA
- Record of Emergency Data (DD93)
- Awards Processing
- NCO Induction Ceremony
- Deployed Soldier Council
- ATRRS Manager
- Motorcycle Mentorship Program (MMP)

