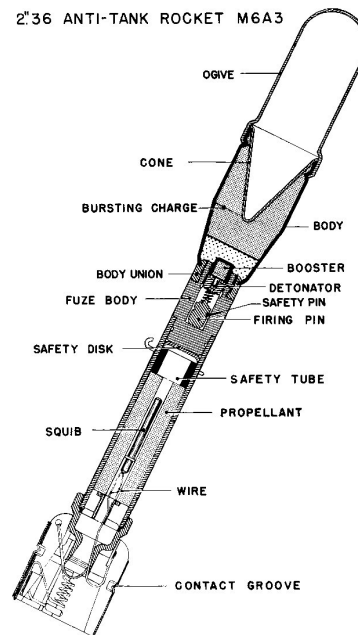
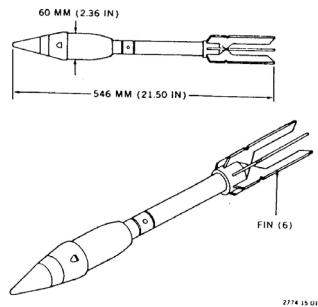


## Ordnance Technical Data Sheet U.S. ROCKET, 2.36-IN, HEAT, M6 SERIES



**Nomenclature** 2.36-IN, HEAT, M6 SERIES

**Ordnance Family** Rockets

**DODIC** Not Provided

**Filler** Pentolite

**Filler Weight** Not Provided

**Item Weight** Not Provided

**Diameter** 60.00 mm

**Length** 546.00 mm

**Maximum Range** Not Provided

**Fuze** Not Provided

**Usage** This is a fin stabilized high explosive antitank rocket. The figure shows the appearance and dimensions of the M6 series rocket. The M6A1 and M6A3 are identical except for difference in the ogive and the tail assembly.

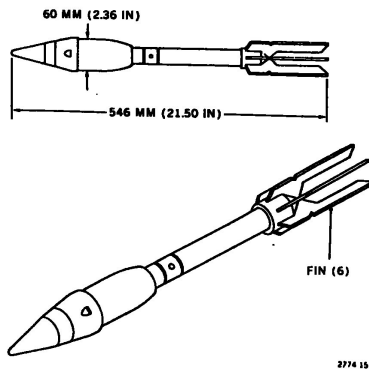
**Description**

The rocket is painted olive drab.

**Reference**

**ORDATA online**

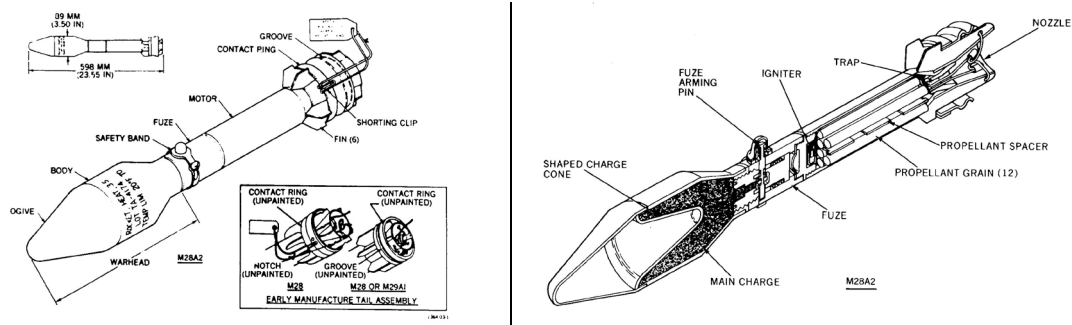
# Ordnance Technical Data Sheet **U.S. ROCKET, 2.36-INCH, AT, PRACTICE, M7A1**



<b>Nomenclature</b>	2.36-INCH, AT, PRACTICE, M7A1
<b>Ordnance Family</b>	Rockets
<b>DODIC</b>	Not Provided
<b>Filler</b>	None
<b>Filler Weight</b>	Not Applicable
<b>Item Weight</b>	8.80 kg
<b>Diameter</b>	60.00 mm
<b>Length</b>	546.00 mm
<b>Maximum Range</b>	Not Provided
<b>Fuze</b>	Dummy
<b>Usage</b>	The practice rounds are similar to their accompanying service rounds, except that they are inert-loaded and have a dummy fuze or steel weight to fill the empty fuze space.
<b>Description</b>	Not Provided
<b>Reference</b>	<b>ORDATA</b> online

# Ordnance Technical Data Sheet

## U.S. ROCKET, 3.5-INCH, HEAT, M28 & M28A2



**Nomenclature** 3.5-INCH, HEAT, M28 & M28A2

**Ordnance Family** Rockets

**DODIC** Not Provided

**Filler** Composition B

**Filler Weight** 853.00 g

**Item Weight** 4.10 kg

**Diameter** 89.00 mm

**Length** 598.00 mm

**Maximum Range** Not Provided

**Fuze** Impact Inertia

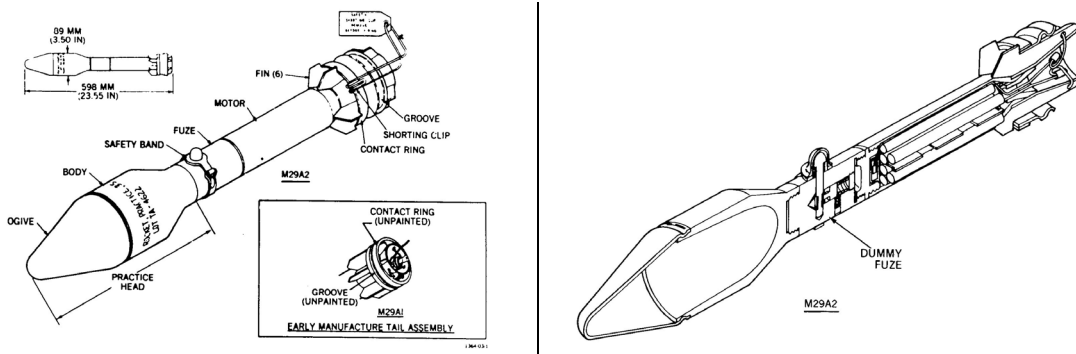
**Usage** These are ground-fired fixed-fin rockets, which use a setback-armed, base-detonating (BD), nondelay, impact-inertia-fired fuzes, and a high-explosive antitank (HEAT) shaped-charge warhead. The fuzes are painted olive drab or black, and have the designation and loading information stamped in the body.

**Description** The M28 warhead is olive drab with yellow markings; the M28A2 may have an olive drab or black warhead with yellow markings. Some M28A2 warheads with fuzes may be inserted and painted blue. The rocket motor may be brown, or olive drab with a brown band.

**Reference** **ORDATA** online

# Ordnance Technical Data Sheet

## U.S. ROCKET, 3.5-INCH, PRACTICE, M29, M29A1, & M29A2



<b>Nomenclature</b>	3.5-INCH, PRACTICE, M29, M29A1, & M29A2
<b>Ordnance Family</b>	Rockets
<b>DODIC</b>	Not Provided
<b>Filler</b>	None
<b>Filler Weight</b>	Not Applicable
<b>Item Weight</b>	3.90 kg
<b>Diameter</b>	89.00 mm
<b>Length</b>	598.00 mm
<b>Maximum Range</b>	Not Provided
<b>Fuze</b>	Not Provided
<b>Usage</b>	The M29-series rockets are inert and are used for training. The M29A2 rocket is modified for use in the M69 practice landmine system.
<b>Description</b>	The fuzes are painted olive drab or black, and have the designation and loading information stamped in the body. The M29 warhead and rocket motor are blue. The M29A1 and M29A2 warheads are blue, and the rocket motors are brown, or olive drab with brown bands. The M29-series practice heads have white markings. The contact ring and groove or notch on all the rockets are unpainted.
<b>Reference</b>	<b>ORDATA</b> online