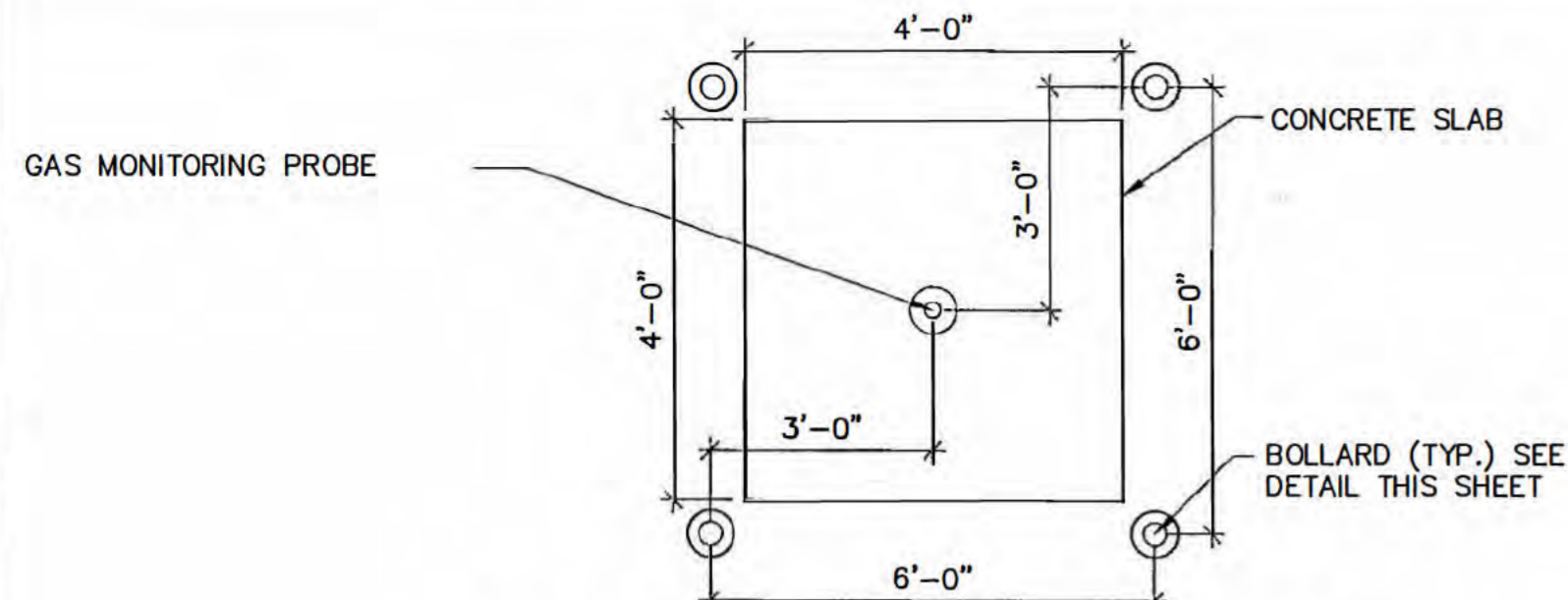
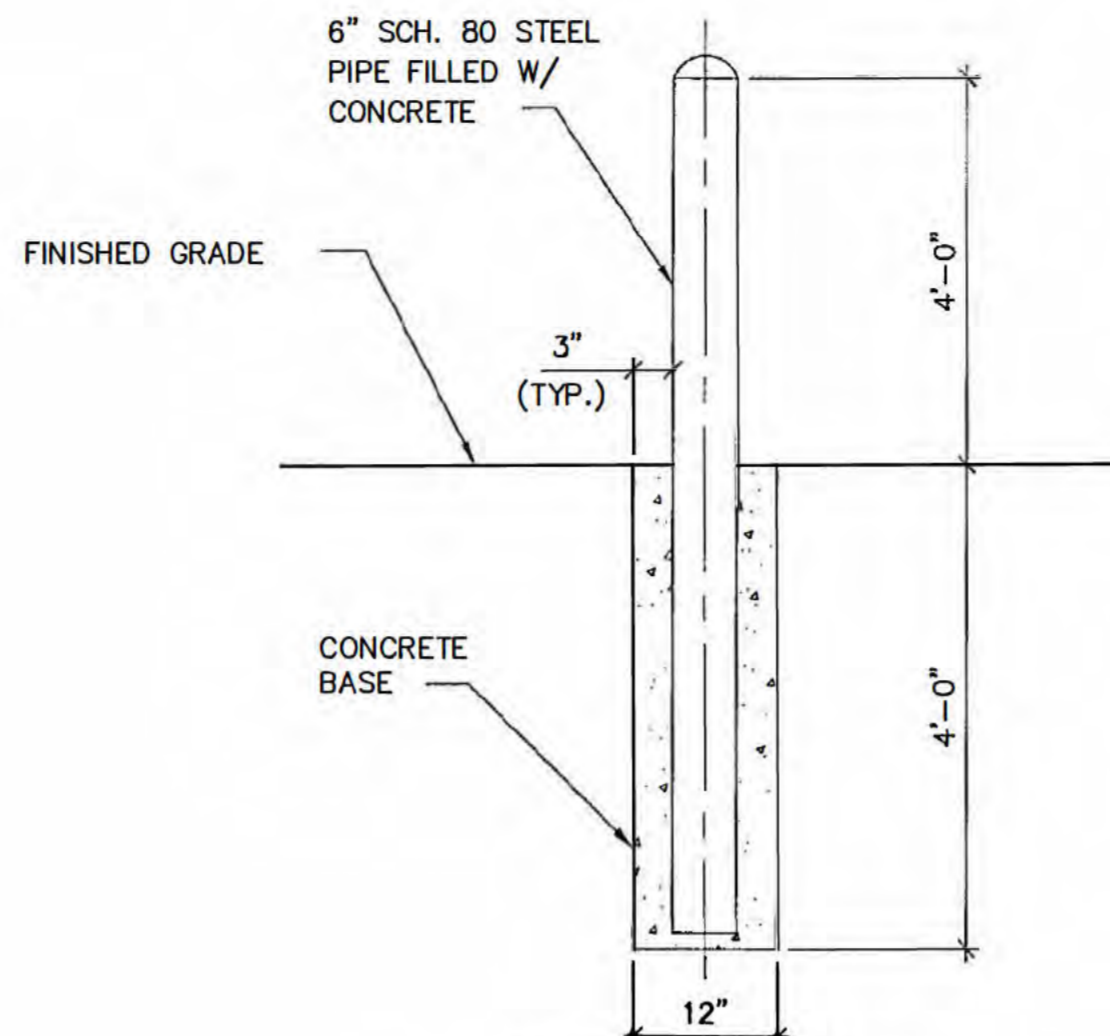


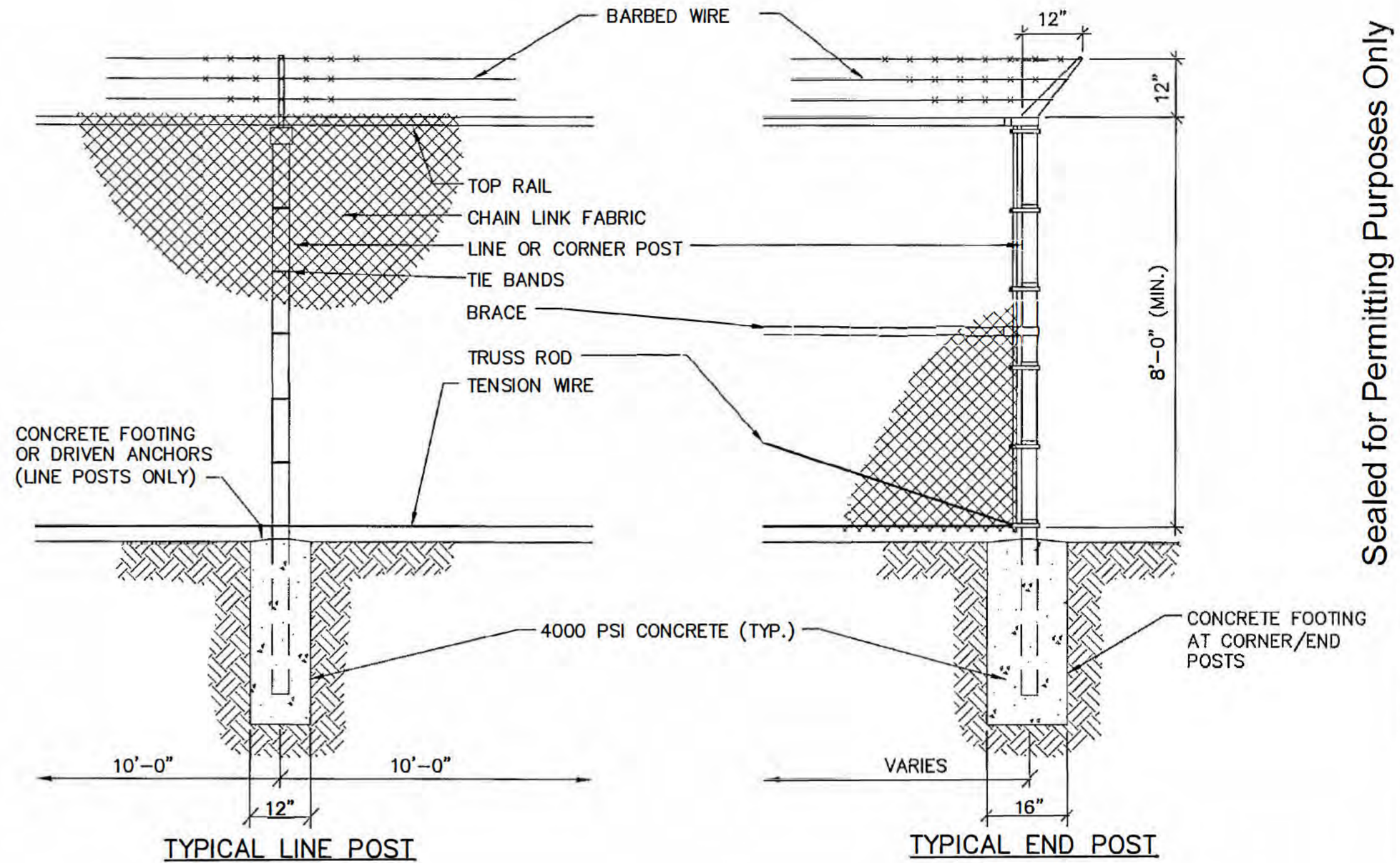
USER: HALLINER7246 FILENAME: CAUSEWAYLANDFILL246.MXD DATE: 7/17/2022 4:01 PM PLOT DATE: 7/17/2022 6:06 PM



TYPICAL MONITORING LOCATION PROTECTION PLAN
NOT TO SCALE

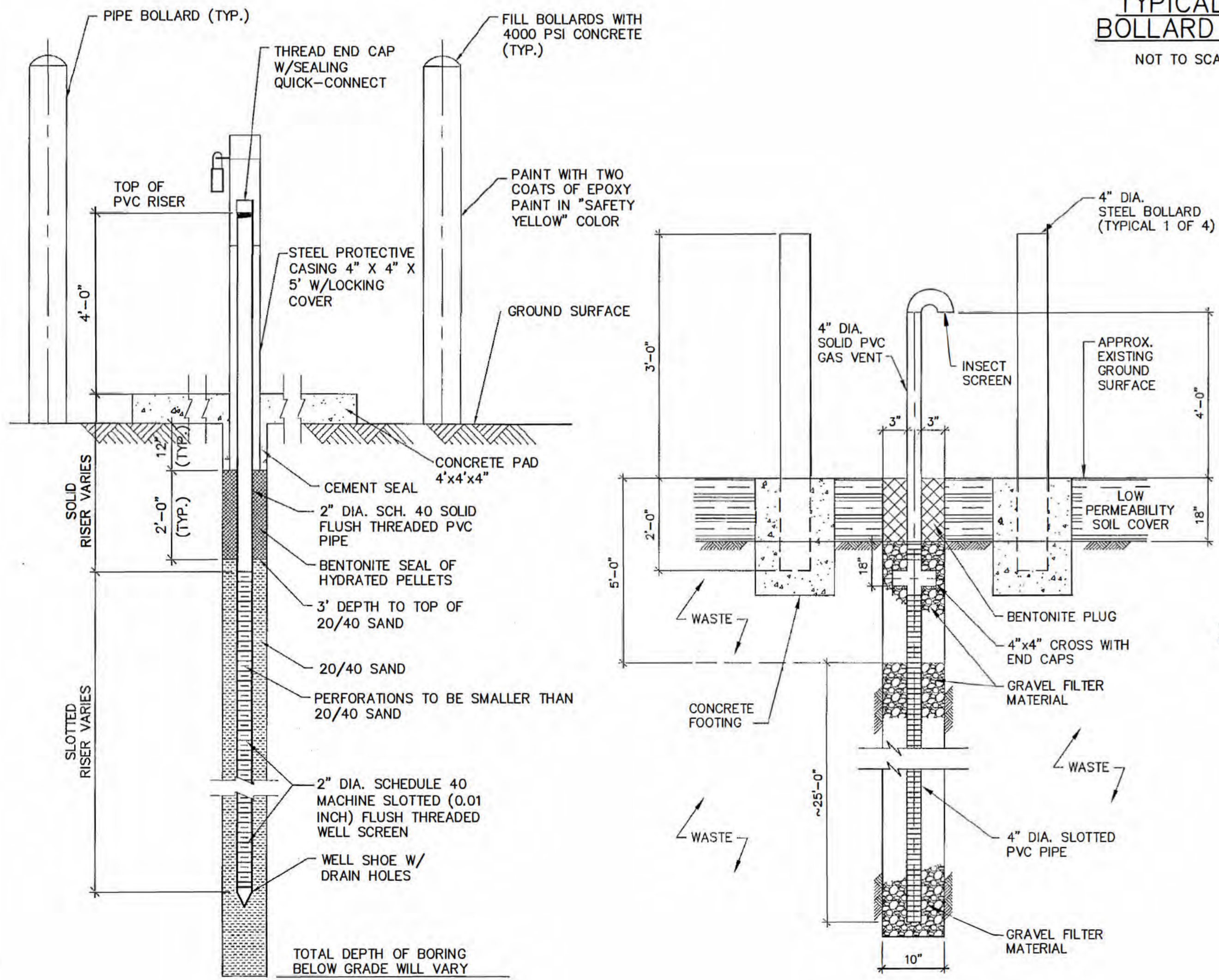


TYPICAL PIPE BOLLARD DETAIL
NOT TO SCALE



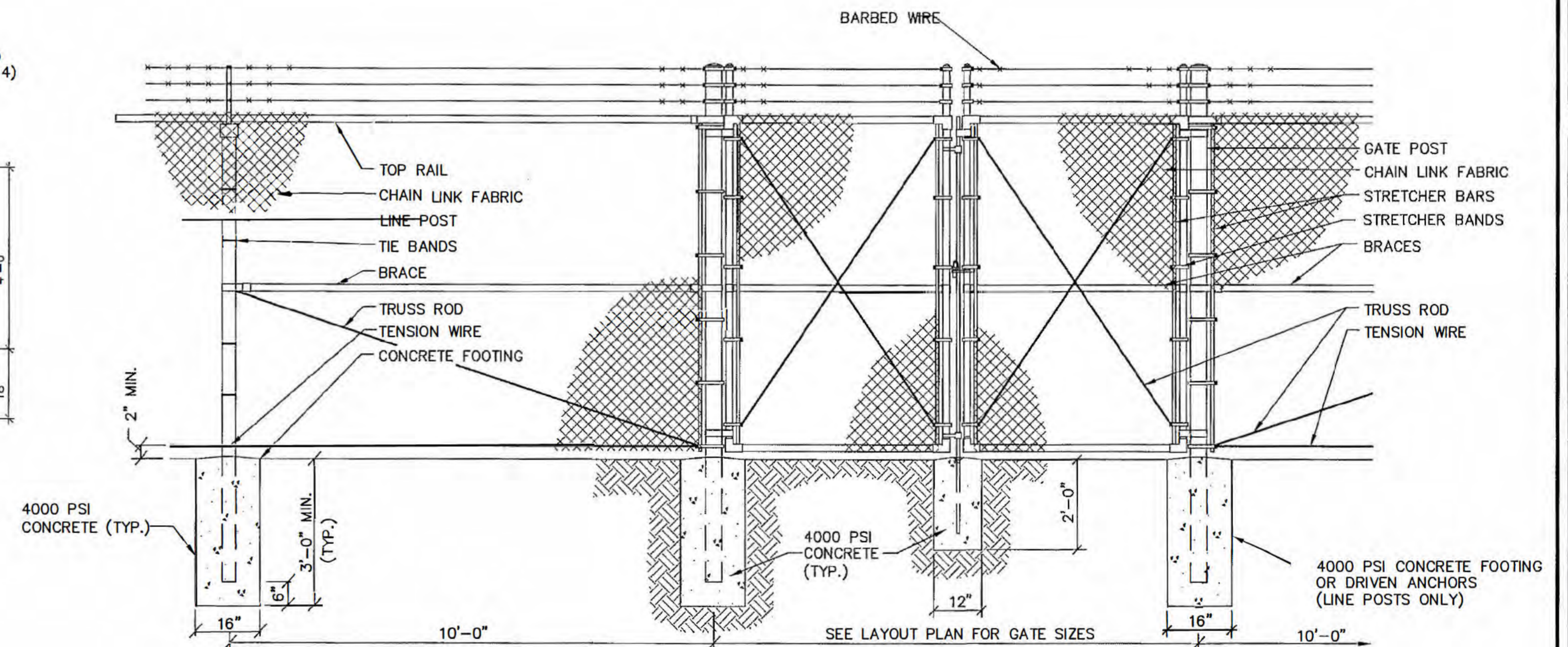
TYPICAL LINE POST

TYPICAL END POST



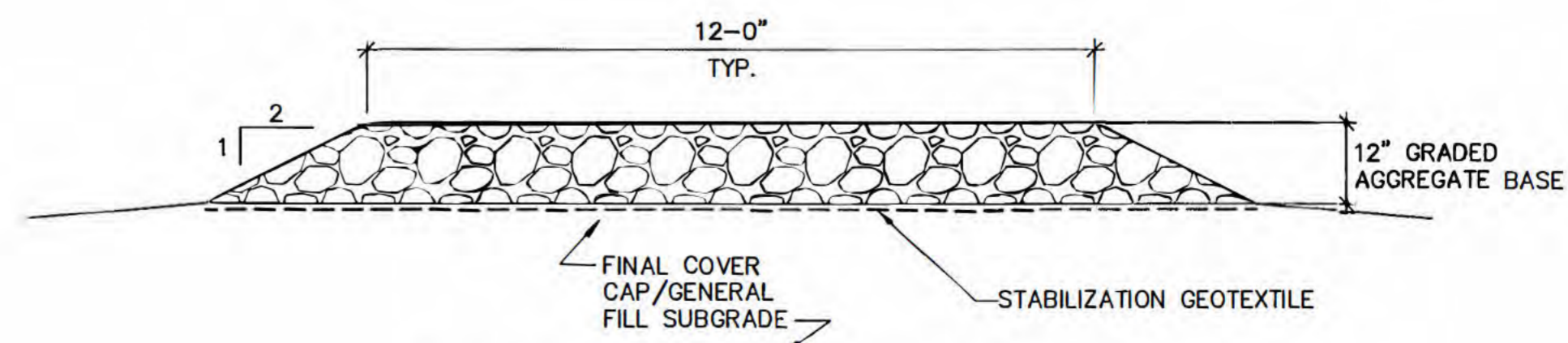
GAS PROBE DETAIL
NOT TO SCALE

VENT WELL DETAIL
NOT TO SCALE



TYPICAL CHAIN LINK FENCE DETAILS
NOT TO SCALE

TYPICAL DOUBLE GATE



TYPICAL GRAVEL ROAD DETAIL
NOT TO SCALE

NOTE:
1. REPLACEMENT PROBES SHALL BE INSTALLED WITH THE SAME OVERALL DEPTH AND SCREENING INTERVAL AS THE EXISTING MONITORING WELLS BEING REPLACED.

Sealed for Permitting Purposes Only

DATE	DESCRIPTION

DESIGNED BY: TAM	DATE: JULY 2022
DRAWN BY: DNEH	SOLICITATION NO.:
SUBMITTED BY:	CONTRACT NO.:
FILE NAME: 300689A-PRMNT-026.dwg	FILE NUMBER:
SIZE: A4	PLOT DATE: 7/17/2022
SCALE:	

U.S. ARMY CORPS OF ENGINEERS REGIONAL PLANNING AND ENVIRONMENTAL CENTER FORT WORTH, TEXAS	DESIGNED BY: TAM DATE: JULY 2022 DRAWN BY: DNEH CONTRACT NO.: FILE NUMBER: PLOT DATE: 7/17/2022 FILE NAME: 300689A-PRMNT-026.dwg SIZE: A4 SCALE:
---	--

FORT BLISS MUNICIPAL SOLID WASTE LANDFILL PERMIT MODIFICATION APPLICATION: OPTIMIZED ENVELOPE-TRANSPARATION (ET) ALTERNATIVE COVER SYSTEM
TYPICAL SITE DETAILS
SHEET IDENTIFICATION
C-8
SHEET 11 OF 12